

# THERM<sup>+</sup> H-I/H-V

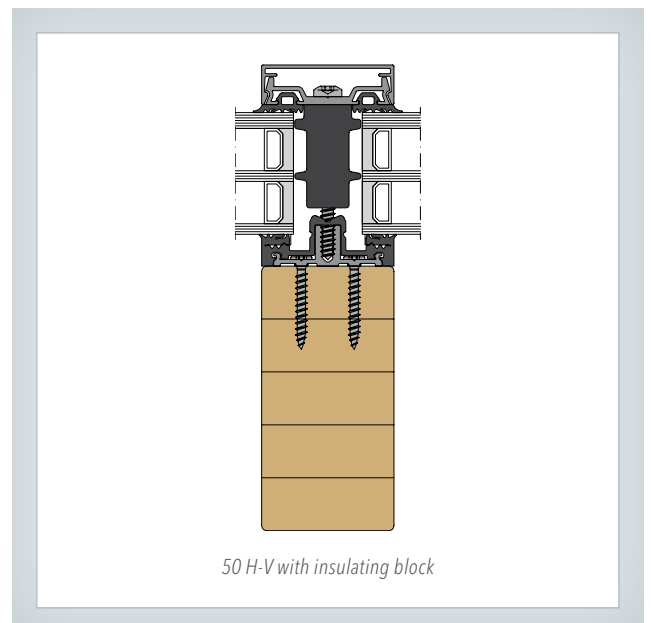
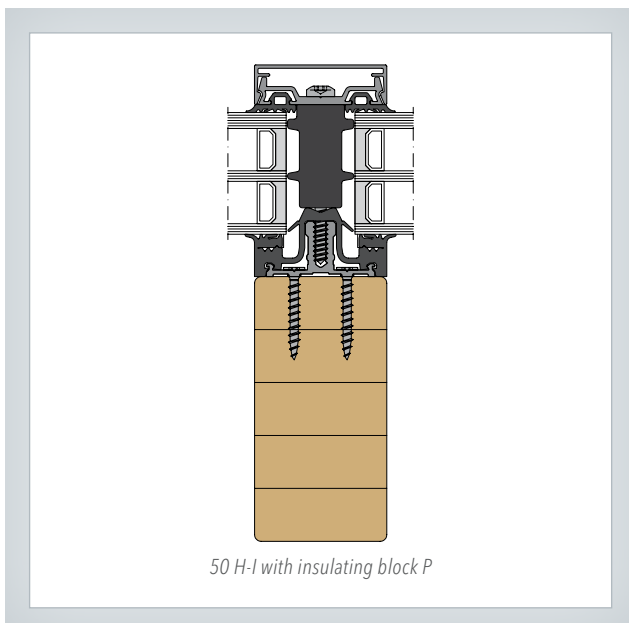
## Timber curtain wall



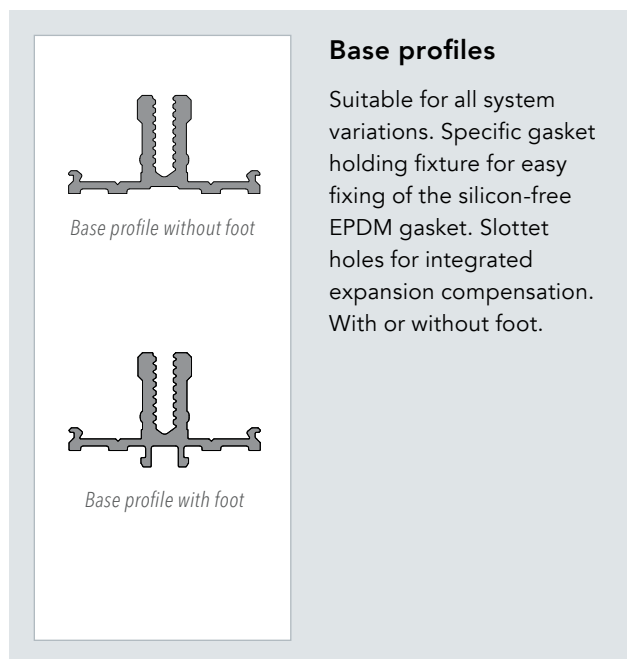
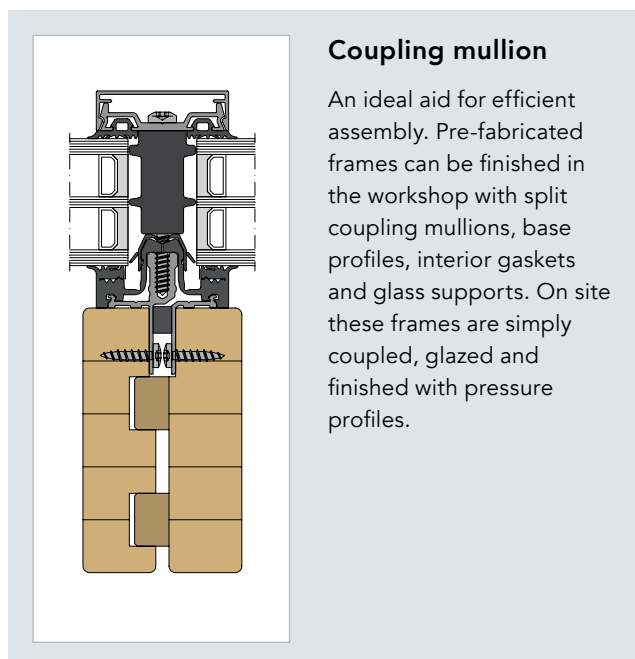
The THERM<sup>+</sup> timber curtain wall system provides an approved glazing technology application to structural frames made of any timber based material from 50 mm width. For a sustainable and lasting function the consistent system design assures strict separation between the structural elements and the functional components of aluminium profile and gaskets.

### Advantages

- Passive house certified in system widths 50, 56 and 76
- Maximum thermal insulation with insulating block variant down to  $U_{m,t}=0.76 \text{ W/(m}^2\text{K)}$  including screw influence
- Two types of screw fixed aluminium base profiles; with or without profile locator
- Screw fixings officially endorsed by European Technical Approval, for timber product derivatives having widths of 50 mm
- Quick and easy fitting of the base profiles; also suitable for assembly with magazine fed electric screwdrivers
- No external components penetrate through to the timber frame
- Integrated drainage system in the continuous hat sealing in three levels
- Stepless thermal insulation by means of RAICO Insulating Block Technology



## Variants



## Technical Data

|     | System width [mm] | For timber profiles from [mm] | Infill thickness [mm] | Glass weight [kg] | Drainage levels | Polygonal assembly | Application Glass roofs | Application Conservatories |
|-----|-------------------|-------------------------------|-----------------------|-------------------|-----------------|--------------------|-------------------------|----------------------------|
| H-I | 50/56/76/96       | width: 50                     | 4 to 64               | 600               | 2 or 3          | up to 45°          | up to 2° inclination    | yes                        |
| H-V | 50/56/76          | width: 50                     | 10 to 64              | 600               | 2 or 3          | up to 45°          | –                       | –                          |

## The RAICO timber connector TC

The connectors between mullion and transoms on a timber curtain wall must fulfill additional specific requirements. The dead load of the infill units is positioned in front of the timber structure, and the connectors must compensate for this torsional effect in addition to wind pressure and suction forces:

- Two patented RAICO timber connector options: SOLO and KOMBI for glass weights up to 481 kg
- For THERM<sup>+</sup> H-I/H-V
- For transom depth from 60 up to 300 mm
- Minimum preparation: rebated grooves at each end of the transom and drilled holes to both the mullion and transom
- Simplified assembly: fix mullions – insert transom – secure transom with nail screws – finished
- Automatic flush position of the transom due to the integrated stop device
- Option to pre-fabricate into transportable units
- Aesthetically correct joints due to T-connector pressure across the profiles



*Timber connector TC SOLO*



*Timber connector TC KOMBI*